

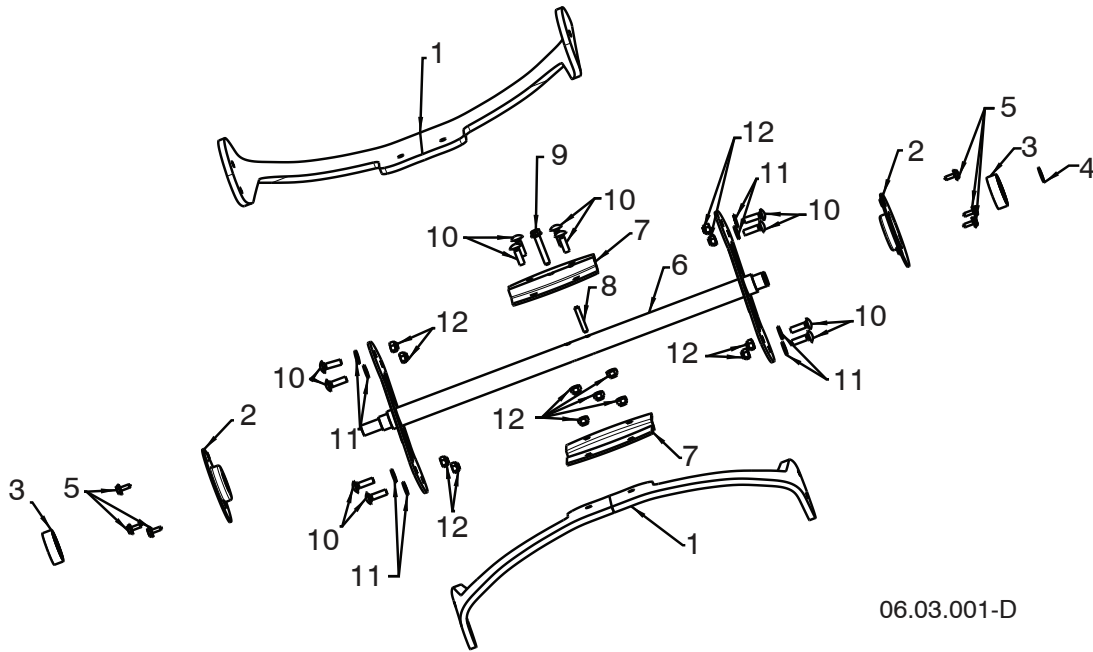
**ILLUSTRATED PARTS LIST**

**MODEL NUMBER ST 151**

**PRODUCT NUMBER 961 81 00-14**

**MFG. ID. NUMBER 96181001400**

**REPAIR PARTS SNOW THROWER - - MODEL NUMBER ST 151 (96181001400)  
AUGER ASSEMBLY**



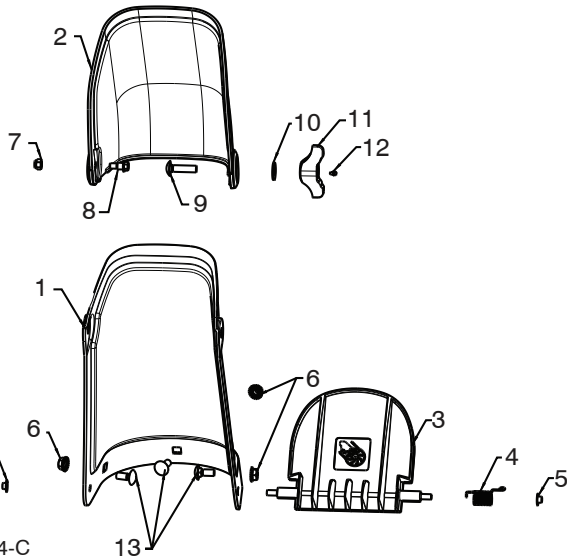
06.03.001-D

KEY NO.	PART NO.	DESCRIPTION
1	532 44 27-59	BLADE
2	580 85 55-01	BEARING SUPPORT
3	532 43 76-22	BALL BEARING
4	812 00 00-28	RETAINING RING
5	817 06 04-08	1/4-20 X 3/8 HEX SCREW
6	532 43 76-17	AUGER WELDMENT
7	580 85 54-01	CENTER BLADE PLATE
8	532 43 76-20	ROLL PIN
9	532 19 96-87	SCREW HEX WS HD 1/4-20 X 1.5
10	872 11 04-07	BOLT CARRIAGE 1/4-20 X 7/8
11	819 09 10-16	WASHER FLAT 1/4 SAE
12	532 13 20-04	NUT HEX 1/4-20 BZO

**NOTE:** All component dimensions given in U.S. inches. 1 inch = 25.4 mm  
**IMPORTANT:** Use only Original Equipment Manufacturer (O.E.M.) replacement parts.  
 Failure to do so could be hazardous, damage your snow thrower and void your warranty.

# REPAIR PARTS SNOW THROWER - - MODEL NUMBER ST 151 (96181001400)

## CHUTE ASSEMBLY



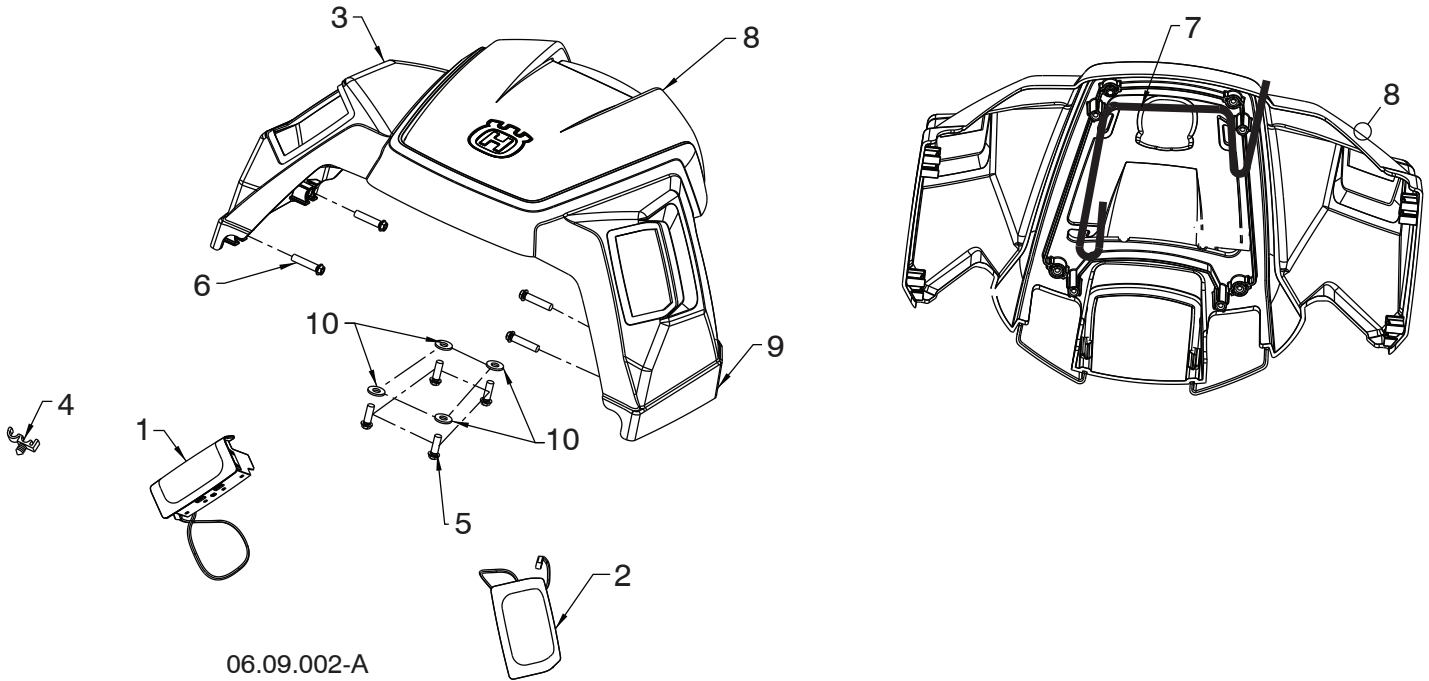
06.05.004-C

KEY NO.	PART NO.	DESCRIPTION
1	532 44 41-51	CHUTE (GREY)
2	532 44 34-31	DEFLECTOR (GREY)
3	532 44 41-40	GUARD (GREY)
4	532 43 66-22	SPRING
5	532 44 22-51	PUSH NUT
6	873 97 05-00	NUT LOCK HEX W/INS 5/16-18 UNC PL
7	532 13 20-04	NUT HEX 1/4-20 NYLON LOCKING
8	532 44 46-82	SHOULDER BOLT 1/4-20 HEX HEAD
9	872 11 05-10	CARRIAGE BOLT 5/16-18 X 1-1/4
10	819 13 13-16	WASHER 13/32 X 13/16 X 16 GA
11	532 19 19-38	WING KNOB
12	532 07 16-73	CAP PLUNGER
13	872 01 05-06	CARRIAGE BOLT 5/16-18 UNC X 1

**NOTE:** All component dimensions given in U.S. inches. 1 inch = 25.4 mm  
**IMPORTANT:** Use only Original Equipment Manufacturer (O.E.M.) replacement parts. Failure to do so could be hazardous, damage your snow thrower and void your warranty.

# REPAIR PARTS SNOW THROWER - - MODEL NUMBER ST 151 (96181001400)

## HANDLE ASSEMBLY

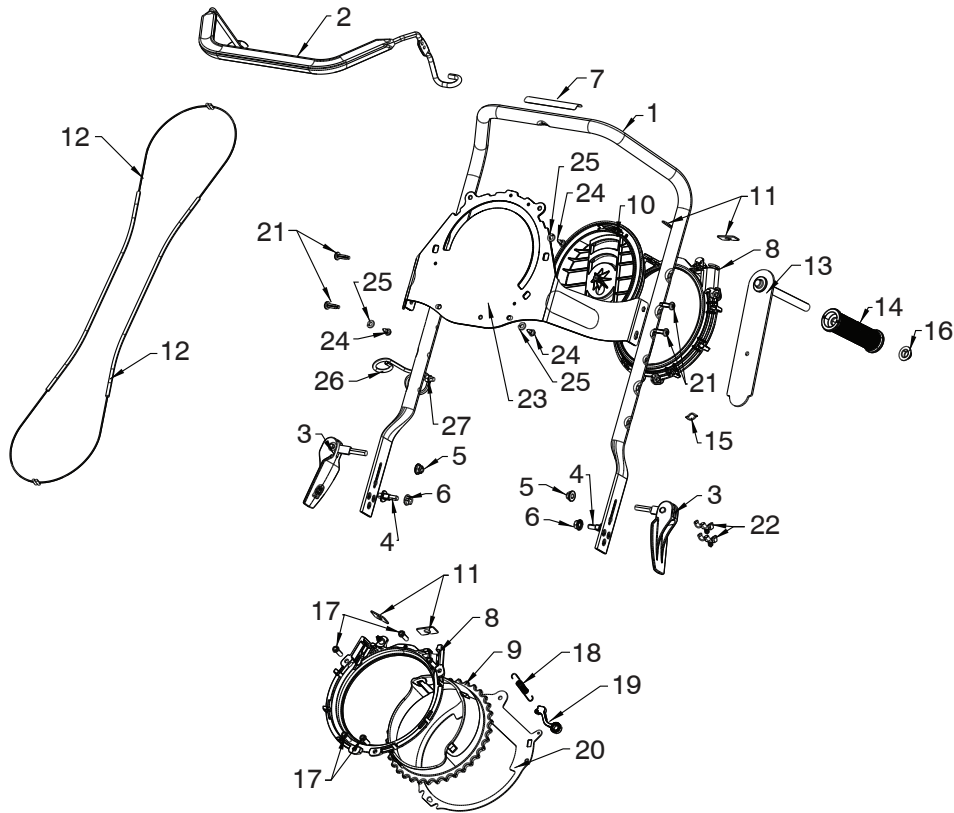


KEY NO.	PART NO.	DESCRIPTION
1	580 68 05-01	RH LED SUBASM
2	580 68 05-02	LH LED SUBASM
3	581 00 88-01	SHROUD CONTROL ASM
4	532 14 50-06	PUSH IN CLIP
5	817 41 13-12	SCREW HI-LO 3/4"
6	817 41 13-18	SCREW HI-LO 1-1/8"
7	532 44 30-46	WIRING HARNESS
8	532 44 32-45	SHROUD ASM SM
9	532 44 16-24	SHROUD LG
10	819 09 10-16	WASHER FLAT 1/4 SAE

**NOTE:** All component dimensions given in U.S. inches. 1 inch = 25.4 mm  
**IMPORTANT:** Use only Original Equipment Manufacturer (O.E.M.) replacement parts. Failure to do so could be hazardous, damage your snow thrower and void your warranty.

# REPAIR PARTS SNOW THROWER - - MODEL NUMBER ST 151 (96181001400)

## HANDLE ASSEMBLY



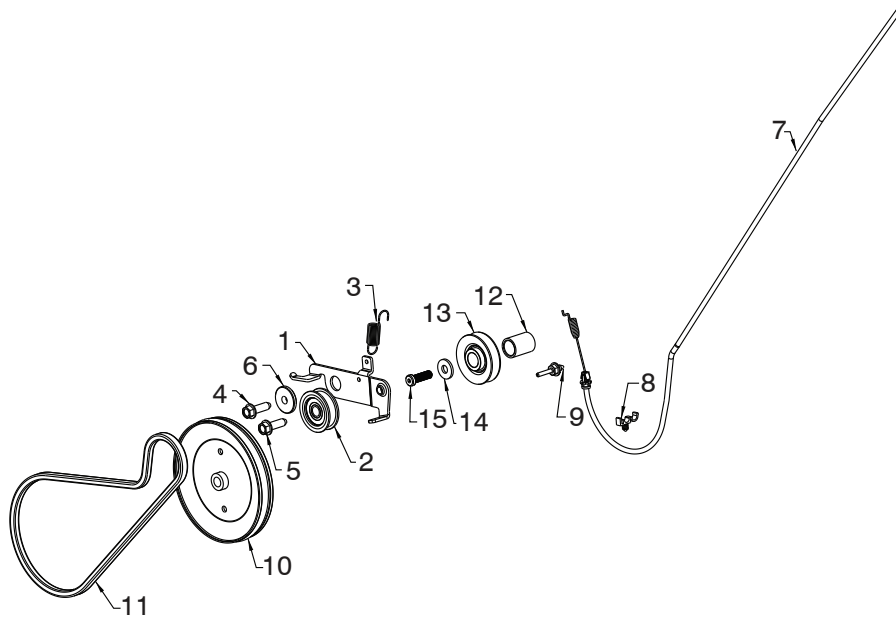
06.07.005-A

KEY NO.	PART NO.	DESCRIPTION	KEY NO.	PART NO.	DESCRIPTION
1	532 44 34-32	UPPER HANDLE ERGO GRAY	16	532 43 54-17	NUT PUSH AXLE .05"
2	532 44 34-33	OVERMOLD BAIL ASM HUSQ	17	817 41 13-12	SCREW HEX WSHHD #13 X .750
3	532 44 30-21	QUICK ADJUST SUBASM	18	580 66 45-01	CHUTE CONTROL SPRING ROTATE
4	532 19 92-55	STUD QUICK ADJ	19	532 43 48-78	CHUTE RATCHET ARM
5	532 44 22-48	NUT 5/16-18 FLANGE NYLOCK BLACK	20	580 85 56-01	CHUTE BASE PLATE
6	873 97 05-00	NUT LOCK HEX FLANGE	21	532 44 22-50	SCREW PAN HD TORX 1/4-20 X .750
7	532 43 75-06	DECAL HANDLE BAR AUGER INSTRUCTIONAL	22	532 14 50-06	CABLE GUIDE
8	532 44 39-38	CHUTE RETAINER RING	23	580 85 59-01	SUPPORT BRACKET DDC STAMP
9	532 44 39-39	CHUTE BASE DCC BLACK	24	532 18 44-71	SCREW SHOULDER 10/24 X .62
10	532 44 39-40	PULLEY DCC RING BLACK	25	810 04 04-00	LOCKWASHER 1/4 SPLIT
11	532 43 68-06	BRACKET CABLE DCC	26	532 44 22-34	ROPE GUIDE
12	532 43 68-05	CABLE DCC	27	532 13 20-04	NUT HEX 1/4-20 BZO
13	532 43 68-90	HANDLE SUDASM PIVOT			
14	532 44 28-35	HANDLE GRIP SUBASM			
15	532 44 47-49	WASHER THREE WAVE SPRING			

**NOTE:** All component dimensions given in U.S. inches. 1 inch = 25.4 mm  
**IMPORTANT:** Use only Original Equipment Manufacturer (O.E.M.) replacement parts. Failure to do so could be hazardous, damage your snow thrower and void your warranty.

# REPAIR PARTS SNOW THROWER - - MODEL NUMBER ST 151 (96181001400)

## DRIVE ASSEMBLY

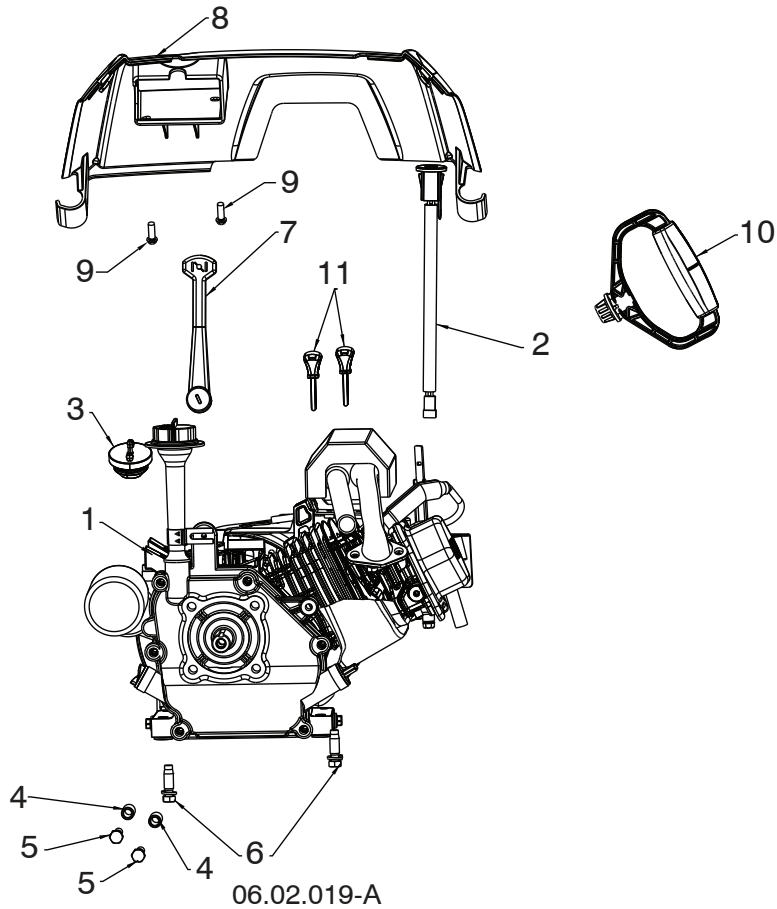


06.01.001-A

KEY NO.	PART NO.	DESCRIPTION
1	580 85 53-01	IDLER ARM
2	532 16 60-43	IDLER PULLEY
3	532 43 48-59	RETURN SPRING
4	817 06 06-20	SCREW 3/8-16 X 1-1/4 (TORQUE 13-18 FT-LBS)
5	817 06 06-20	SCREW 3/8-16 X 1-1/4 (TORQUE 22-27 FT-LBS)
6	532 19 90-92	SPACER
7	532 44 30-18	CLUTCH CABLE ASM
8	532 14 50-06	PUSH CLIP
9	532 43 45-02	BELT KEEPER
10	532 43 53-83	DRIVE PULLEY
11	532 43 72-61	BELT
12	532 43 48-60	ENGINE CRANK SPACER
13	532 42 64-90	ENGINE PULLEY
14	532 85 10-74	WASHER
15	532 43 08-17	SCREW 3/8-24 X 1/25

**NOTE:** All component dimensions given in U.S. inches. 1 inch = 25.4 mm  
**IMPORTANT:** Use only Original Equipment Manufacturer (O.E.M.) replacement parts. Failure to do so could be hazardous, damage your snow thrower and void your warranty.

# REPAIR PARTS SNOW THROWER - - MODEL NUMBER ST 151 (96181001400) ENGINE ASSEMBLY

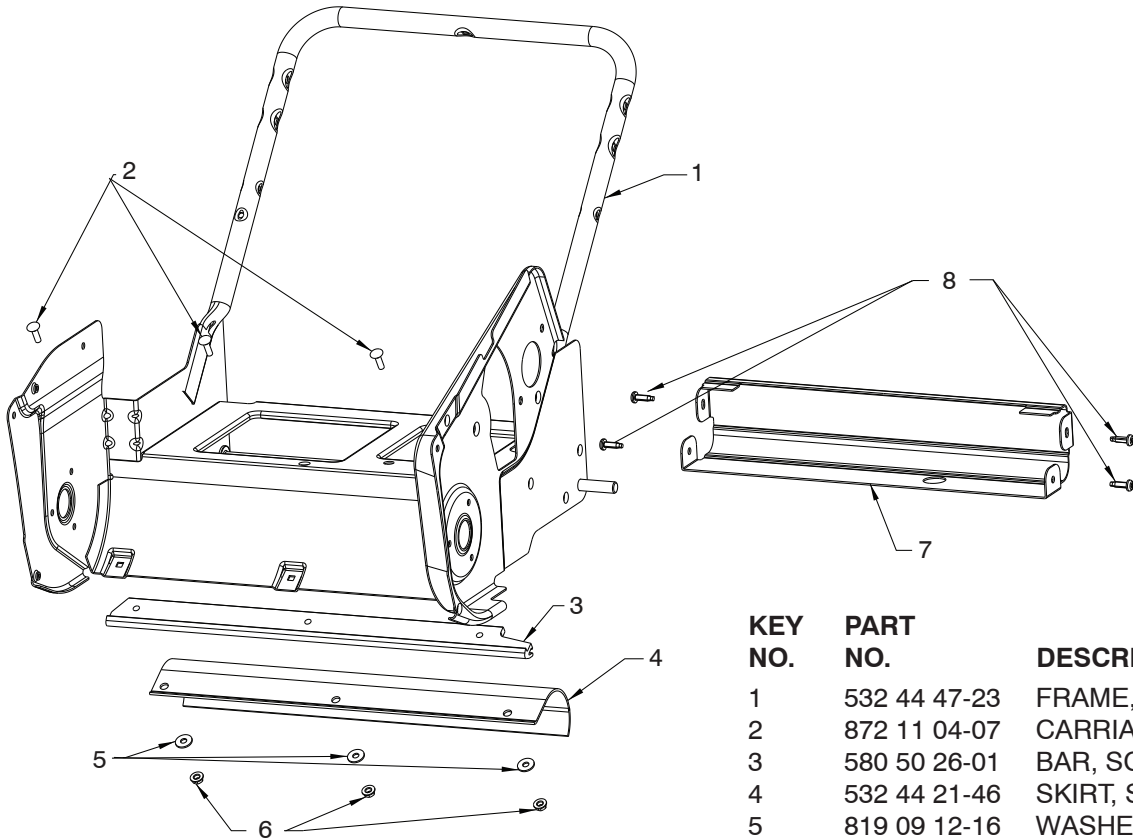


KEY NO.	PART NO.	DESCRIPTION
1	580 81 11-02	ENGINE LCT 208CC ES PW3HK1865018Y
2	532 43 54-07	KEY SWITCH
3	532 43 62-35	PRIMER BULB
4	532 43 48-57	ENGINE SPACER
5	532 43 55-78	SCREW 5/16-24 X 2.00 HHCS
6	532 15 04-06	ENGINE BOLT 3/8-16 DOGPOINT
7	532 43 48-74	CHOKE LEVER
8	532 44 34-24	LOWER REAR COVER
9	817 41 13-12	SCREW HEX WSHHD #13 X .750
10	532 44 30-70	HANDLE RECOIL
11	532 44 30-59	KEY SET (QTY: 2)

**NOTE:** All component dimensions given in U.S. inches. 1 inch = 25.4 mm  
**IMPORTANT:** Use only Original Equipment Manufacturer (O.E.M.) replacement parts.  
 Failure to do so could be hazardous, damage your snow thrower and void your warranty.

# REPAIR PARTS SNOW THROWER - - MODEL NUMBER ST 151 (96181001400)

## FRAME ASSEMBLY



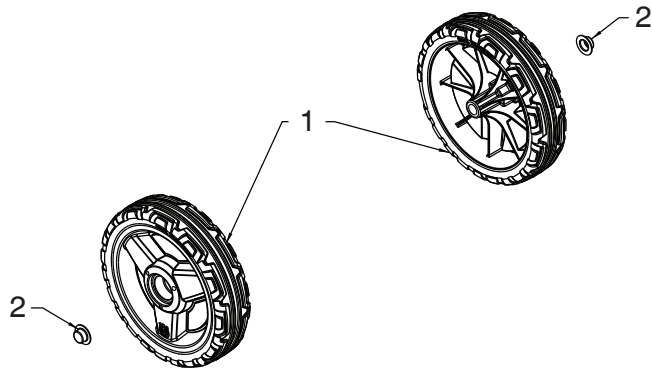
06.00.002-A

KEY NO.	PART NO.	DESCRIPTION
1	532 44 47-23	FRAME, WELDMENT
2	872 11 04-07	CARRIAGE BOLT 1/4-20 X 7/8
3	580 50 26-01	BAR, SCRAPER UHMW
4	532 44 21-46	SKIRT, SCRAPER SSST
5	819 09 12-16	WASHER 9/32 X 3/4 X 16 GA
6	532 19 17-30	NUT, HEX FLANGE 1/4-20 CTR LOCK
7	532 44 34-23	SUPPORT, SSST REAR FRAME
8	532 44 22-50	SCREW, PAN HD TORX 1/4-20 X .750

**NOTE:** All component dimensions given in U.S. inches. 1 inch = 25.4 mm  
**IMPORTANT:** Use only Original Equipment Manufacturer (O.E.M.) replacement parts. Failure to do so could be hazardous, damage your snow thrower and void your warranty.



# REPAIR PARTS SNOW THROWER - - MODEL NUMBER ST 151 (96181001400) FRAME ASSEMBLY



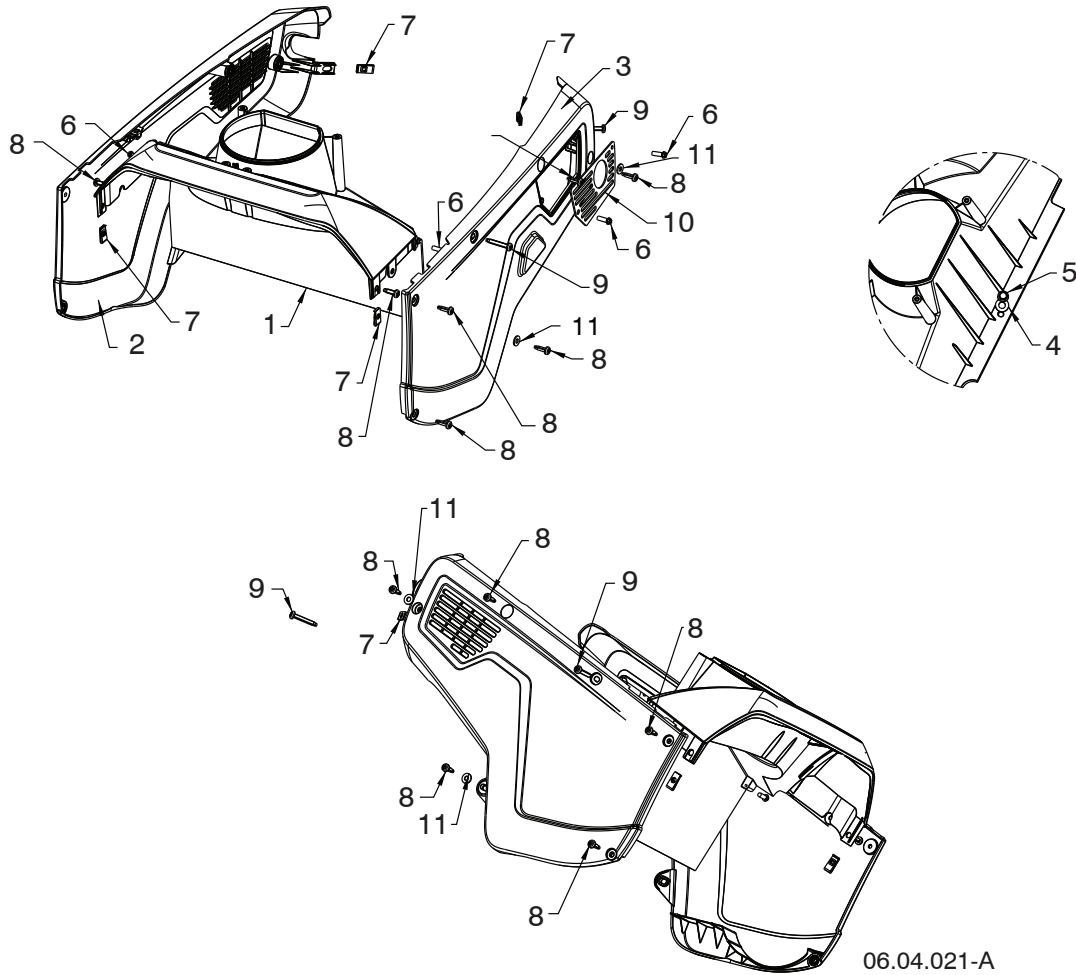
06.06.007-A

KEY NO.	PART NO.	DESCRIPTION
1	532 44 21-20	WHEEL HUSQVARNA 8"
2	532 43 54-17	PUSH NUT

**NOTE:** All component dimensions given in U.S. inches. 1 inch = 25.4 mm  
**IMPORTANT:** Use only Original Equipment Manufacturer (O.E.M.) replacement parts.  
Failure to do so could be hazardous, damage your snow thrower and void your warranty.

# REPAIR PARTS SNOW THROWER - - MODEL NUMBER ST 151 (96181001400)

## SHROUD ASSEMBLY



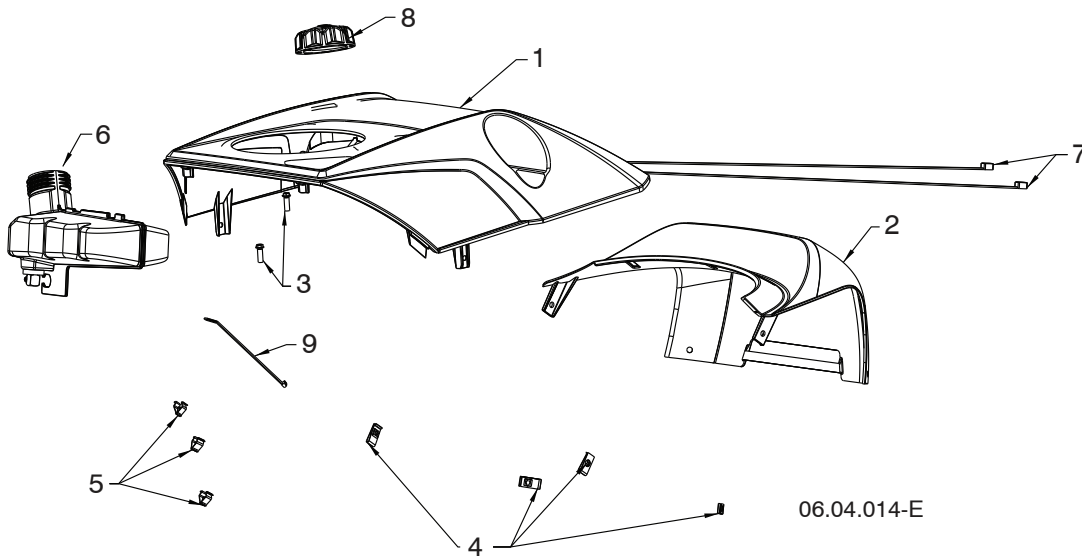
06.04.021-A

KEY NO.	PART NO.	DESCRIPTION
1	532 44 34-25	PLENUM
2	584 98 99-03	COVER NON DRIVE SIDE
3	584 99 00-03	COVER DRIVE SIDE
4	819 13 13-16	WASHER FLAT 3/8 SAE
5	532 42 88-67	BOLT 5/16-18 X .75
6	817 41 13-12	SCREW 13-16 X .75
7	532 19 66-88	CLIP THREADED
8	532 44 22-50	SCREW 1/4-20 X .75
9	532 44 42-62	SCREW 1/4-20 X 1.50
10	580 83 35-01	EXHAUST PLATE
11	819 09 10-16	WASHER FLAT 1/4 SAE

**NOTE:** All component dimensions given in U.S. inches. 1 inch = 25.4 mm  
**IMPORTANT:** Use only Original Equipment Manufacturer (O.E.M.) replacement parts. Failure to do so could be hazardous, damage your snow thrower and void your warranty.

# REPAIR PARTS SNOW THROWER - - MODEL NUMBER ST 151 (96181001400)

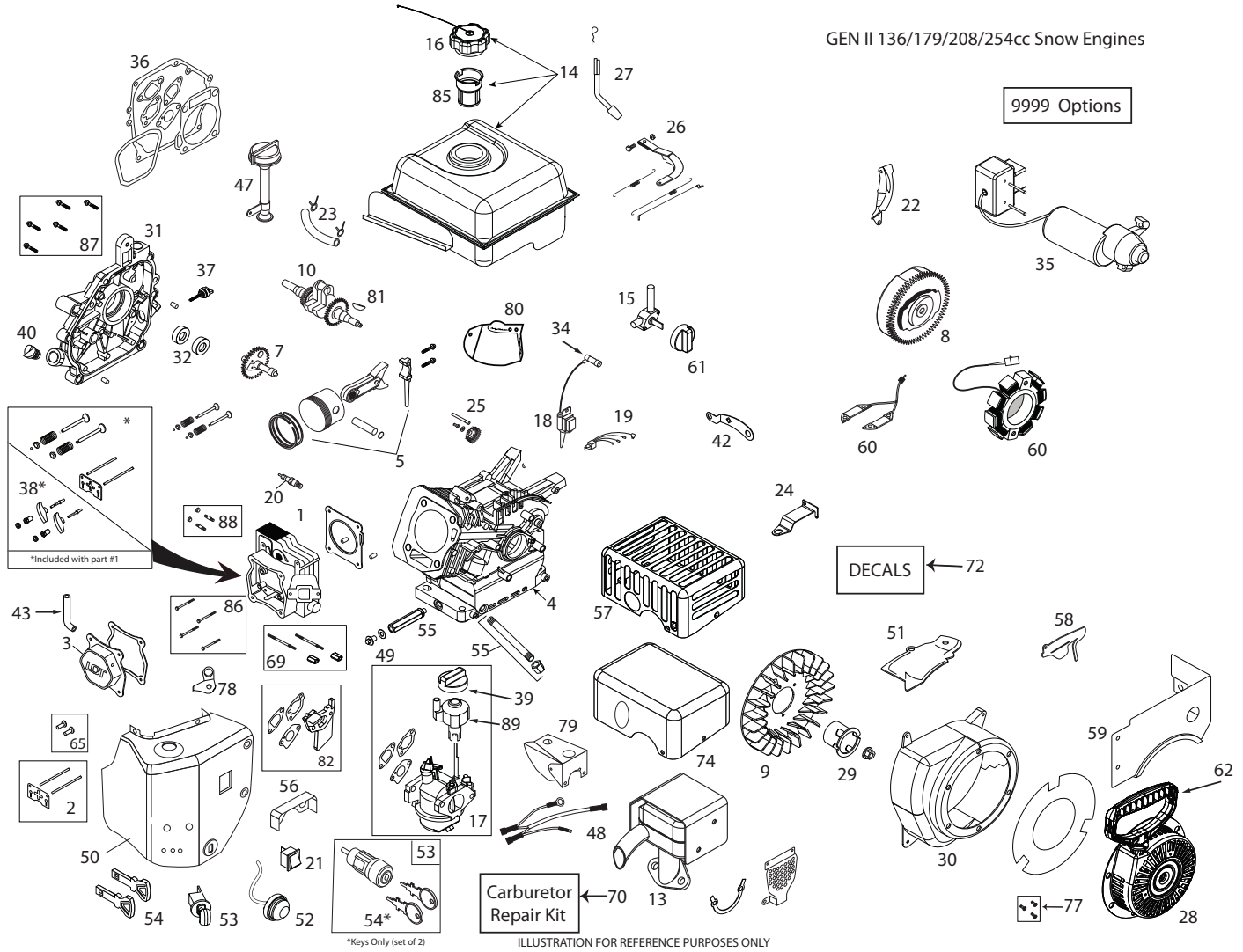
## SHROUD ASSEMBLY



KEY NO.	PART NO.	DESCRIPTION
1	532 44 41-33	TOP COVER
2	532 44 41-37	REAR UPPER COVER
3	817 41 13-12	BOLT 13-16 X .75
4	532 19 66-88	THREADED CLIP
5	532 43 48-68	TRIM CLIP
6	580 98 26-01	FUEL TANK ASSEMBLY
7	532 14 68-48	CABLE TIE
8	581 07 55-01	FUEL CAP/GASKET
9	532 44 46-49	CABLE TIE

**NOTE:** All component dimensions given in U.S. inches. 1 inch = 25.4 mm  
**IMPORTANT:** Use only Original Equipment Manufacturer (O.E.M.) replacement parts.  
 Failure to do so could be hazardous, damage your snow thrower and void your warranty.

# REPAIR PARTS SNOW THROWER - - MODEL NUMBER ST 151 (96181001400) ENGINE, LCT COMPLETE ENGINE-580811102



## KEY PART NO. NO.

KEY PART NO.	NO.	DESCRIPTION
1	587 17 68-01	CYLINDER HEAD ASSEMBLY - 179CC (INCL. GASKET)
2	532 42 05-79	PUSH ROD & PLATE KIT (136CC) (INCL. VALVE COVER GSKT)
3	587 17 69-01	VALVE COVER (179/208CC)(INCL. GASKET)
4	587 17 70-01	CYLINDER ASSEMBLY (179CC SNOW)
5	587 17 71-01	PISTON & ROD ASSEMBLY (136CC)
7	587 17 72-01	CAMSHAFT - MCR (179CC) (INCL. COVER GASKET)

## KEY PART NO. NO.

KEY PART NO.	NO.	DESCRIPTION
8	532 42 92-36	FLYWHEEL - MANUAL START (136/179CC)
9	532 42 05-86	COOLING FAN - FLYWHEEL (PLASTIC - 136CC)
10	587 17 61-01	CRANKSHAFT (#18 KEYED 136CC SNOW)
13	587 17 73-01	MUFFLER KIT (179CC) SNOW
14	532 43 65-64	FUEL TANK ASSY (BLACK) (136/179CC)(2.7L SNOW)(ORDER DECAL KIT SEPARATE)
15	532 42 92-34	FUEL TANK ON/OFF VALVE - GEN II SNOW

**NOTE:** All component dimensions given in U.S. inches. 1 inch = 25.4 mm  
**IMPORTANT:** Use only Original Equipment Manufacturer (O.E.M.) replacement parts. Failure to do so could be hazardous, damage your snow thrower and void your warranty.

# REPAIR PARTS SNOW THROWER - - MODEL NUMBER ST 151 (96181001400) ENGINE, LCT COMPLETE ENGINE-580811102

KEY PART NO. NO.	DESCRIPTION	KEY PART NO. NO.	DESCRIPTION
16	532 42 49-42 FUEL TANK CAP - BLACK CLLCK STYLE (VENTED)	49	532 43 54-95 OIL DRAIN PLUG W/WASHER (136/208/254CC)
17	587 17 75-01 CARBURETOR (L17D) (GEN II SNOW 179CC- W/GSKTS & SPACER)	50	532 43 65-61 HEATER BOX (179CC) MATTE BLACK
18	532 44 39-34 IGNITION COIL (CDI) (208/254CC) (STANDARD)	51	532 43 71-19 SHIELD - CYLLNDER (136CC SNOW)
20	532 42 49-39 SPARK PLUG	52	532 42 49-49 PRIMER BULB WITH HOSE-SNOW
22	587 17 76-01 SHIELD - FLYWHEEL - MANUAL START (136CC)	53	587 14 00-01 KEY SWITCH (INCL. KEYS) (ON/OFF) (PW7)
23	532 43 21-44 FUEL HOSE KIT (1/4" ID X 318MM - SS SNOW)	54	587 14 01-01 KEY SET (2) (RED) PW7 SNOW
24	587 17 77-01 SPEED CONTROL BRACKET (FIXED)	55	587 15 44-01 OIL DRAIN TUBE-SNOW (179CC)
25	532 42 96-46 GOVERNOR GEAR ASSEMBLY (136/208CC)	57	587 17 81-01 CE COMPLIANT MUFFLER SHIELD (136CC PTO-SIDE PW7)
26	532 43 80-03 GOVERNOR ARM & LINK KIT (136CC SNOW)	58	587 17 82-01 SHIELD - GOVERNOR LINKAGE-SNOW
27	532 43 80-04 GOVERNOR ARM PADDLE	59	532 43 65-62 FUEL TANK SKIRT (179CC SNOW) MATTE BLACK
28	532 42 49-62 RECOIL STARTER (BLACK SNOW) (SINGLE-STAGE 78-INCH ROPE)(ORDER DECAL KIT SEPE-RATE)	61	532 43 27-52 FUEL CONTROL KNOB (GEN II SNOW - RED)
29	532 42 49-66 STARTER CUP (136/179CC SNOW)	62	532 42 49-68 STARTER GRIP-SNOW
30	587 17 78-01 BLOWER HOUSING - BLACK MA-NUALSTART (179CC SS SNOW)	65	581 37 27-01 TAPPET KIT (136CC)(SET OF 2)
31	587 17 79-02 CRANKCASE COVER ASSY (179CC WITH PRESSED IN OIL-FILL TUBE)	69	532 42 49-51 CARBURETOR STUDS & COU-PLLNG KIT-SNOW
32	532 42 95-99 OIL SEAL KIT (179CC)	70	580 35 36-01C CARBURETOR REPAIR KIT (136/208/254CC)
34	532 43 69-66 SPARK PLUG BOOT - WITH METAL SHIELD (SNOW)	72	587 17 83-01 ARIENS 136CC PW7 (ALL) DECAL KIT
36	532 43 80-13 ENGINE GASKET KIT (136CC)	74	587 17 85-01 MUFFLER HEAT SHIELD CO-VER (BLACK - PTO SIDE EX.) (136/208CC)
37	532 42 09-61 SMALL BLACK OIL DIPSTICK (PLASTIC)	77	532 43 26-88 RECOIL BOLT KIT (INCL. (3) MTG BOLTS)
38	532 43 80-10 ROCKER ARM KIT (136CC)(INCL. GASKET)	78	581 45 93-01 BREATHER TUBE BRACKET
39	532 42 92-24 CHOKE CONTROL KNOB (GEN II RED)	79	585 77 37-01 CARBURETOR COVER (136/179/208/254CC SNOW)
43	580 35 34-01 BREATHER TUBE (136/208/254CC)	80	587 17 86-01 TOP SHIELD (179CC SNOW)
47	587 17 80-01 HIGH OIL FILL TUBE (179CC, SNOW)	81	582 09 72-02 WOODRUFF FLYWHEEL KEY (5-PACK) (4X6X18MM)
48	532 42 92-62 WIRE HARNESS	82	585 02 05-04 CARBURETOR SPACER (136CC)
		85	583 02 56-01 FUEL TANK STRAINER
		86	586 32 73-01 CYLINDER HEAD BOLT KIT (4) (136-179-208-254CC)
		87	586 32 71-01 CC COVER BOLT KIT (7) (136CC)
		88	586 32 68-01 MUFFLER MTG STUD KIT (2)
		9999	586 32 63-01 HIGH ALTITUDE JET (>5,000 FEET)(136CC L13 CARBURETOR)

**NOTE:** All component dimensions given in U.S. inches. 1 inch = 25.4 mm  
**IMPORTANT:** Use only Original Equipment Manufacturer (O.E.M.) replacement parts.  
 Failure to do so could be hazardous, damage your snow thrower and void your warranty.

